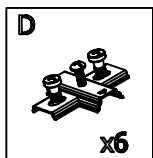
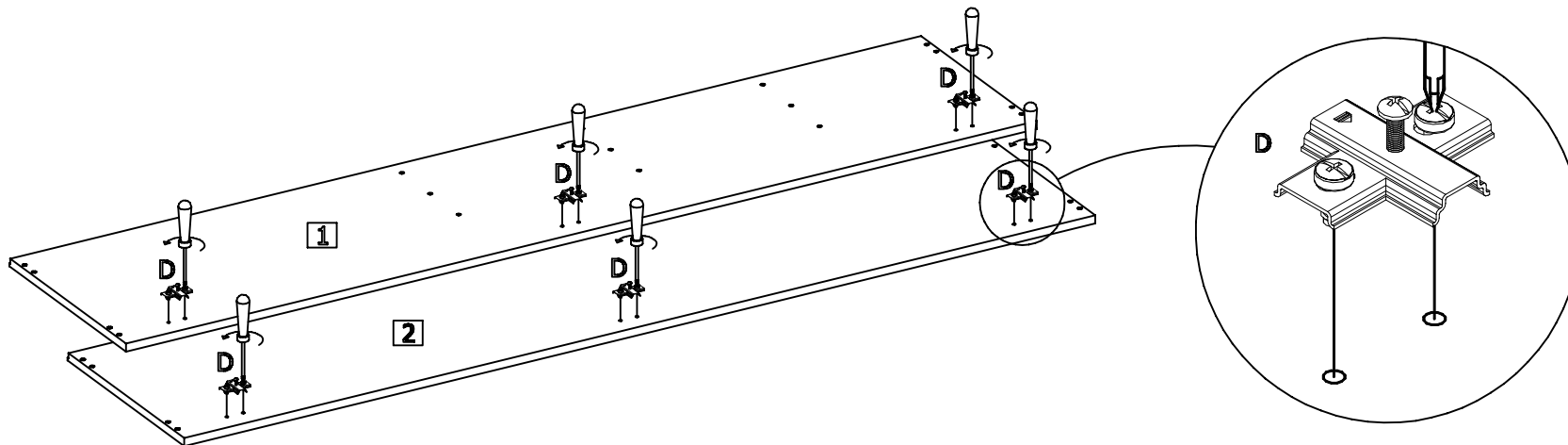
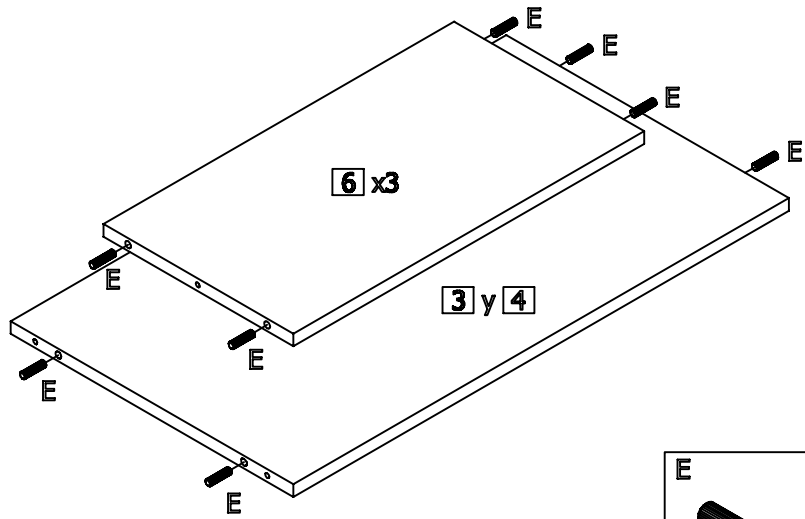


A x16	B x1	C x6
D x6	E x21	F x60
G x2	H x4	I 3.5x15 x16

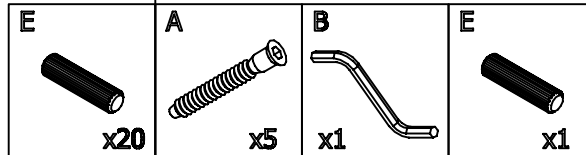
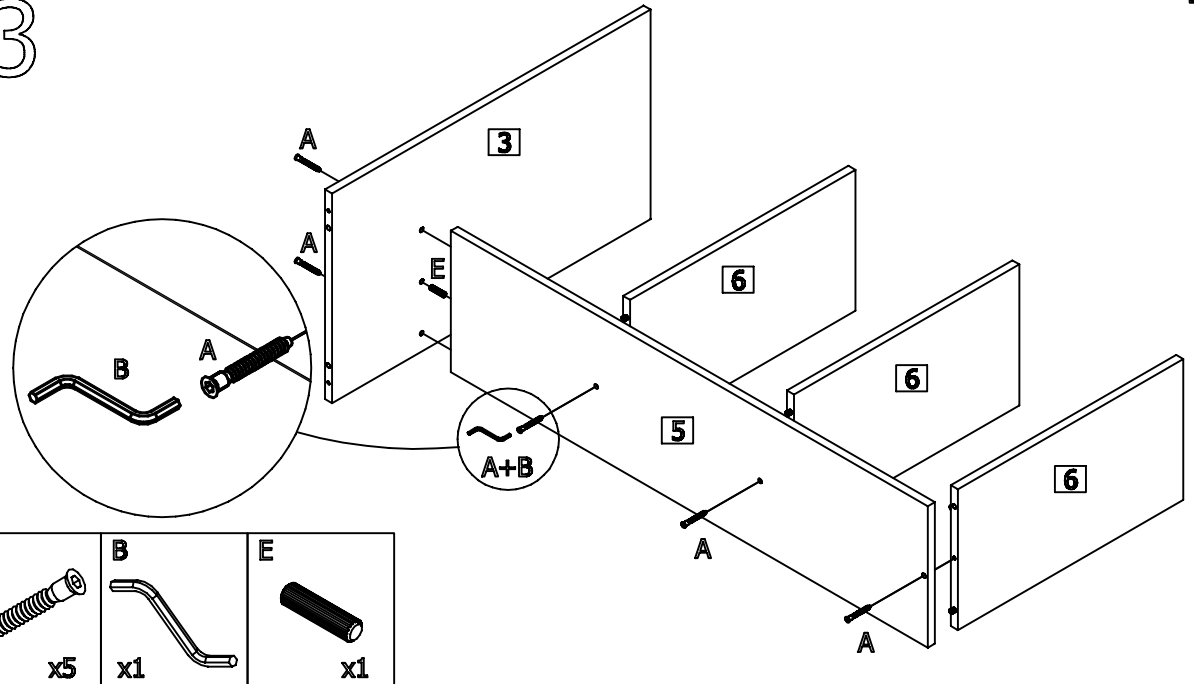
1



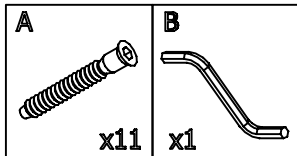
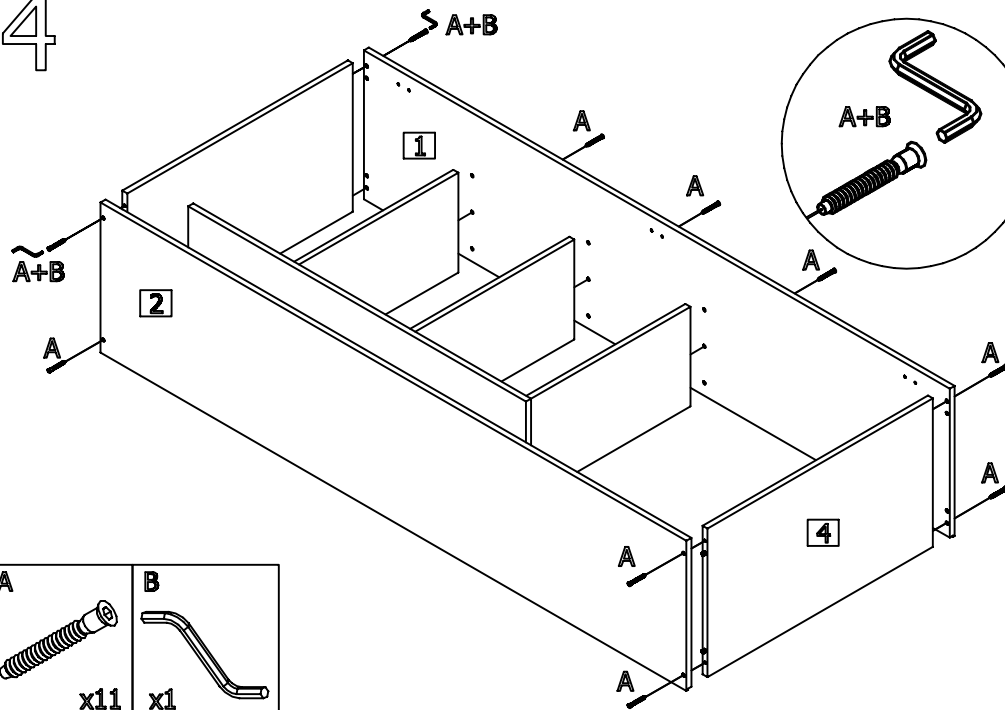
2



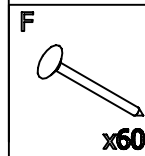
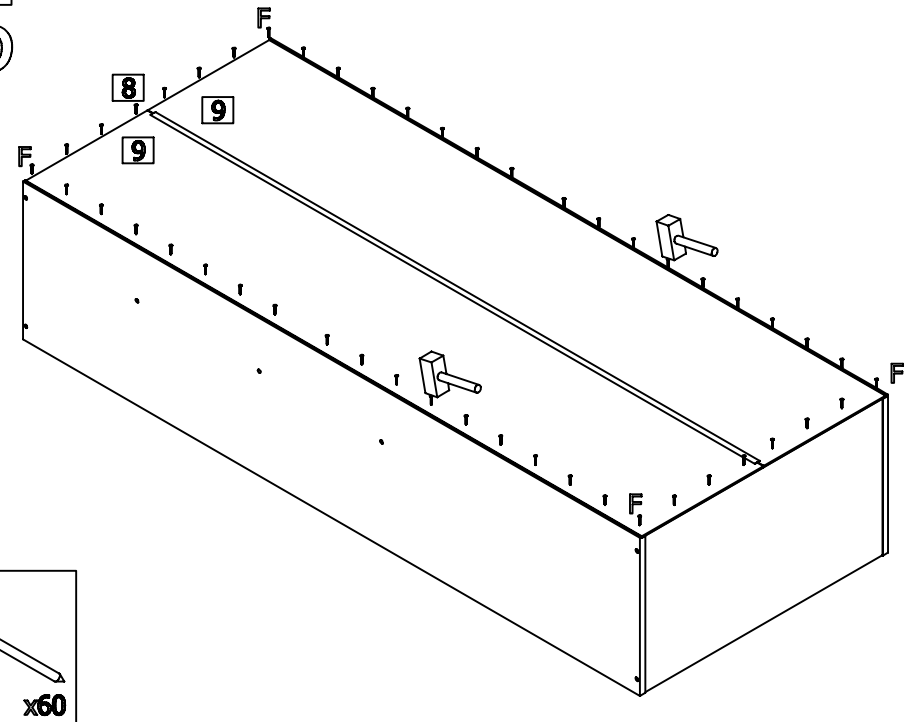
3



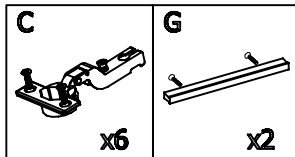
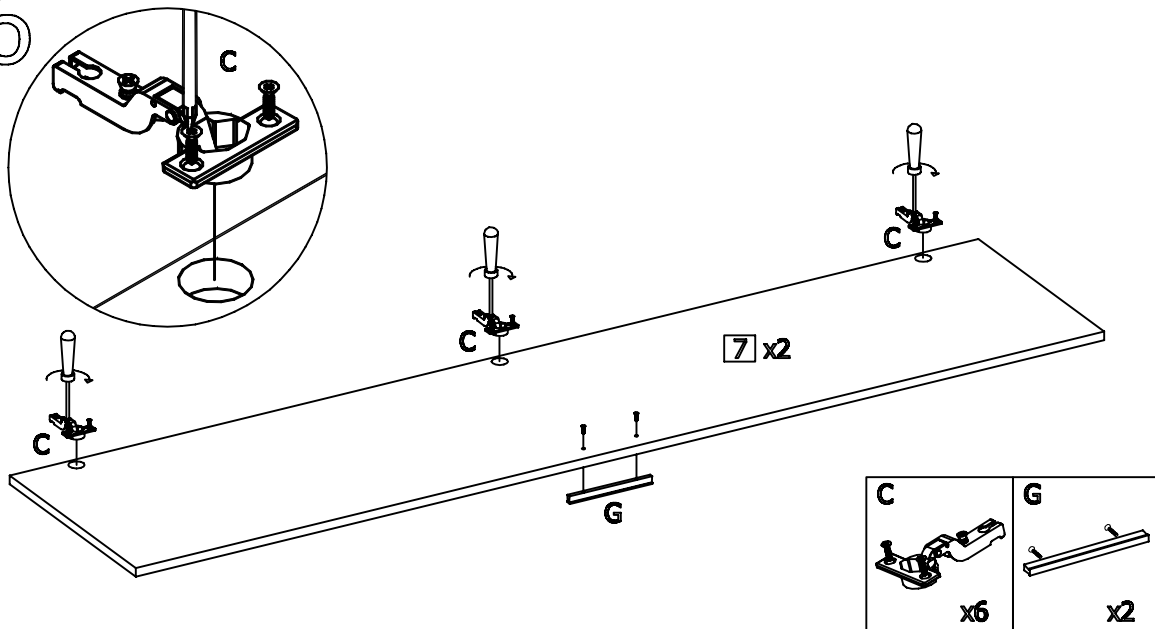
4



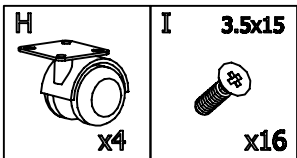
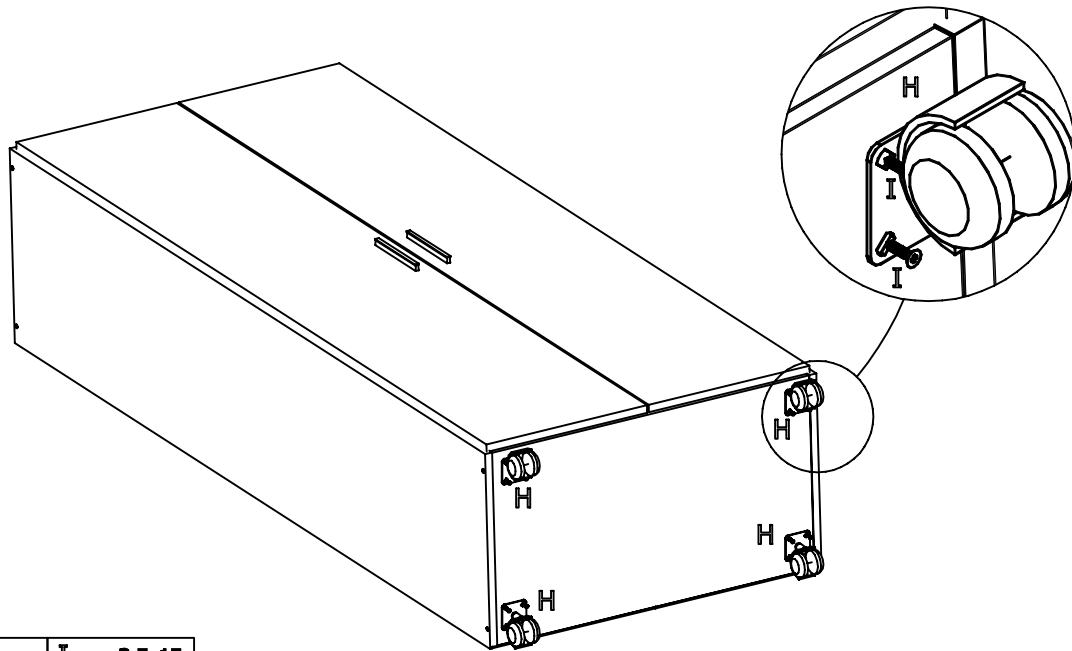
5



6



8



7

